

## 1-300µL Certified Pipette Tips

Item# 151151, 151151R-96, 151151RS-96, 151151RF



### Description

Globe Scientific CERTIFIED pipette tips are certified free from Human DNA, DNase, RNase, Pyrogens and PCR Inhibitors. These premium quality pipette tips are manufactured in a cleanroom using fully automated equipment. They are produced from medical grade virgin polypropylene (PP). All are graduated for accurate measurements. The universal fit design provides an airtight fit on most brands of pipettors. They are available in unique self-standing bags, racks and reloading stacks.

### Features

- Produced on state-of-the-art, fully automated production equipment
- Certified free from Human DNA, DNase, RNase, Pyrogens and PCR Inhibitors
- Heavy-metal free
- USP Class IV and ISO 10993 certified
- Available non-sterile in bags, sterile or non-sterile in racks, and non-sterile in reloading stacks

### Packaging options:



### Products

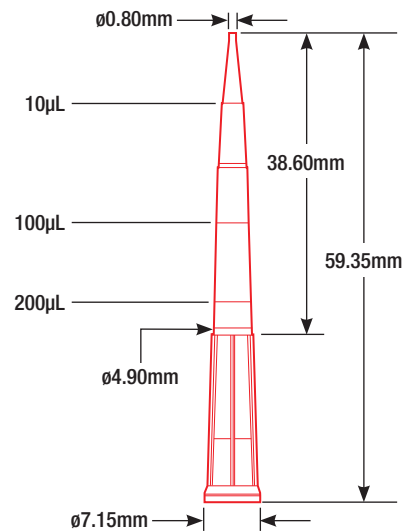
Item #	Volume Range	Tip Length	Tip Color	Sterility	Packaging	Unit
151151	1 - 300µl	59mm	Natural	–	Bulk in Bag	1000 Tips/Bag
151151R-96	1 - 300µl	59mm	Natural	–	Racked	96 Tips/Rack, 10 Racks/Box
151151RF	1 - 300µl	59mm	Natural	–	Reloading Stack	96 Tips/Tray, 10 Trays/Stack
151151RS-96	1 - 300µl	59mm	Natural	Sterile	Racked	96 Tips/Rack, 10 Racks/Box

## 1-300 $\mu$ L Certified Pipette Tips

Item# 151151, 151151R-96, 151151RS-96, 151151RF

### Technical Specifications

- Material: Virgin Polypropylene (PP)
- Autoclavable: Yes
- Graduations: Molded, 10 $\mu$ L, 100 $\mu$ L, 200 $\mu$ L,
- Maximum Volume: 300 $\mu$ L
- Sterility: Sterile:  
151151RS-96  
Non-Sterile:  
151151, 151151R-96, 151151RF



Tip shown actual size



#### Customer service, sales and technical support:

Phone 1 (800) 394-4562 • 1 (201) 599-1400  
Fax 1 (201) 599-1406  
E-mail [mail@globescientific.com](mailto:mail@globescientific.com)

#### Globe Scientific Inc.

400 Corporate Drive  
Mahwah, NJ 07430  
[www.globescientific.com](http://www.globescientific.com)

